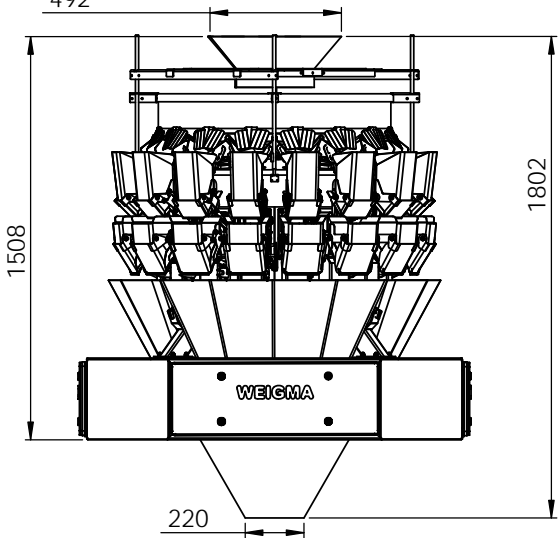


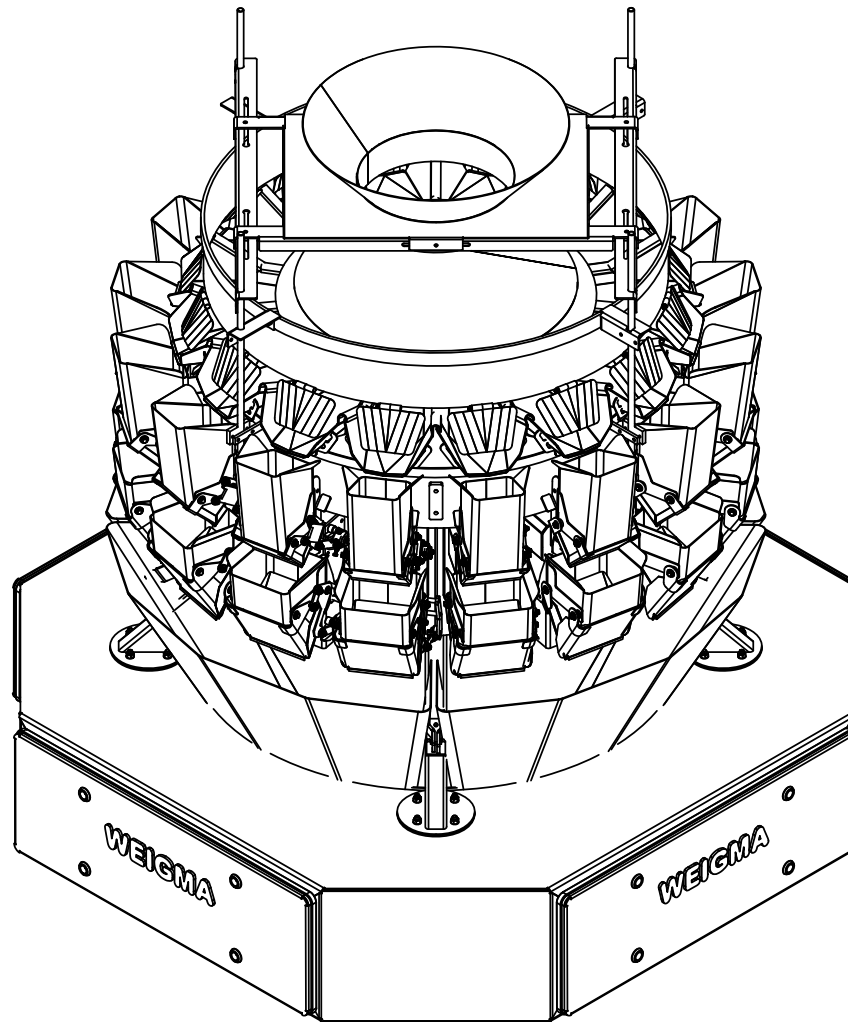
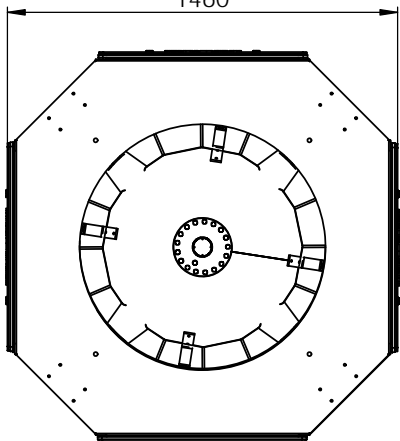
1454

492



220

1460



F:\DISEÑO\WEIGMA\MP16\MP16 PESADORA MULTICABEZAL v.04 Predeterminado
 F:\DISEÑO\WEIGMA\MP16\MP16 PESADORA MULTICABEZAL v.04

UNLESS OTHERWISE SPECIFIED: DIMENSIONS ARE IN MILLIMETERS				FINISH:		DEBUR AND BREAK SHARP EDGES		CODE:		REVISION	
SURFACE FINISH:										WEIGMA®	
TOLERANCES:											
LINEAR:										TITLE: PESADORA MP16 WEIGMA	
ANGULAR:											
DRAWN	NAME	SIGNATURE	DATE							TITLE: PESADORA MP16 WEIGMA	
	EAE		01/11/2016								
CHK'D											
APP'VD											
MFG											
Q.A										TITLE: PESADORA MP16 PESADORA MULTICABEZAL v.04	
										A3	
										MATERIAL: AISI-304	
										WEIGHT:	
										SCALE: 1:50	
										SHEET 1 OF 1	